

Features & Benefits

- -55°C Operating Temperature
- Digital Control
- Isolated Wide Input DC-DC Half Brick
- Up to 250 W Output Power
- 92% Efficiency at Full Load
- Input Under Voltage Lockout
- Output Over Voltage Protection
- Output Current Limit
- Short Circuit Protection
- Thermal Shutdown
- Remote ON/OFF Control
- Output Voltage Remote Sense
- Output Voltage Trim Range +10%, -40%

Compliance

The Converter (with a Passive EMI filter) is designed to meet:

- MIL-STD-461G
- MIL-STD-810G
- MIL-STD-1275D*
- MIL-HDBK-704-8*

*: details in the Standards Compliance table

Typical Applications

- Military/Defense Power Systems
- Armored Vehicles
- Land Platforms
- Aerospace Platforms
- Communications and Radar Systems
- Medical Systems

Product Ratings	
V _{IN}	9 – 70 V
V _{OUT}	28 V
I _{OUT}	9 A
P _{OUT}	250 W

Product Description

Half brick is a 250 W DC/DC converter in half-brick size that operates from nominal 28 V input and generates 28 V isolated output. The converter is fully protected to operate reliably under all kinds of disturbances. The baseplate is designed and manufactured in-house to provide efficient cooling and safe operation at 100 °C base plate temperature.



Size: 61.0 x 58.4 x 13.0 mm
[2.402" x 2.299" x 0.512"]

Weight: 150 ± 5 g

Electrical Characteristics

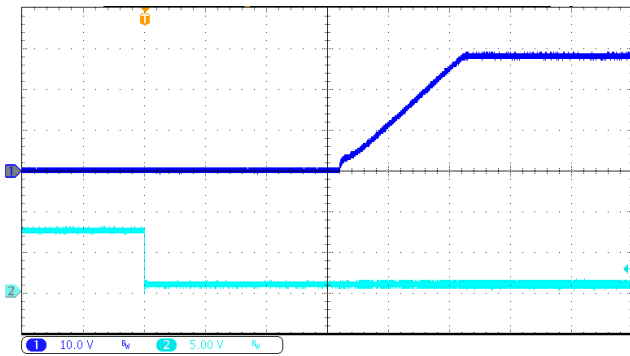
All data are obtained at nominal line and full load unless otherwise specified. (Ta = 25 °C)

Input Characteristics					
Parameters	Notes & Conditions	Min	Typ	Max	Unit
Non-Operating Input Voltage Range	Continuous	-1		100	V
Input Voltage Transient	1s			100	V
Operating Input Voltage Range		9	28	70	V
Input Under Voltage Turn-On Threshold		8.8	9.2	9.6	V
Input Under Voltage Turn-Off Threshold		8.2	8.5	8.8	V
No-Load Input Current			220	250	mA
Disabled Input Current			3.6		mA
Input Current Ripple (pk-pk)			200		mA
Maximum Input Current	At low line and %10 trim up			34	A
Recommended External Input Capacitance	Typ. ESR 0.3-0.4 Ω; See Figure V		500		μF
Recommended External Input Fuse	Fast acting			40	A

Output Characteristics					
Parameters	Notes & Conditions	Min	Typ	Max	Unit
Output Voltage			28		V
Output Voltage Set Point			± 1		%
Output Voltage Line Regulation			± 0.2		%
Output Voltage Load Regulation			± 1		%
Output Voltage Ripple and Noise (pk-to-pk)	20 MHz bandwidth		140		mV
Operating Output Current Range		0		9	A
Output Current Limit		10			A
Output Current Shutdown Limit			15.5		A
Output DC Current-Limit Shutdown Voltage			14		V
Output Power			250		W
Maximum Output Capacitance	Nominal output voltage			4.7	mF
Input Voltage Transient Response	250 V/ms; See Figure C				
Step Change	28V to 70V to 28V input voltage		1.5		V
Settling Time	Within 1% output voltage		1.3		ms
Load Current Transient Response	1 A/μs; See Figure B and Figure E				
Step Change	50% to 75% to 50% output load		0.5		V
Settling Time	Within 1% output voltage		3		ms
Output Voltage Trim Range	Across Sense+ and Sense- Pins	-40		+10	%
Recommended External Output Capacitance	Typ. ESR 0.3-0.4 Ω; See Figure V		100		μF
Output Over-Voltage Protection	At nominal output voltage		33.6		V

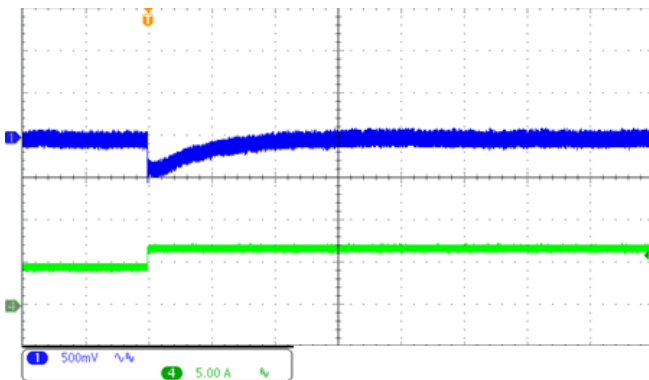
General Characteristics					
Parameters	Notes & Conditions	Min	Typ	Max	Unit
Efficiency	From half load to full load	90		92	%
Turn-On Transient Time	Within 90% output voltage		55		ms
Turn-On Transient Output Voltage Overshoot	Maximum output capacitance			1	%
Soft-Start Time	Within 90% output voltage		20		ms
Switching Frequency			150		kHz
Non-Operating ON/OFF Pin Voltage	Continuous	-1		70	V
ON/OFF Control Off-State Voltage	Positive Logic option	-1		0.5	V
	Negative Logic (-N) option	0.5		70	V
ON/OFF Control On-State Voltage	Positive Logic option	1.1		70	V
	Negative Logic (-N) option	-1		0.2	V
MTBF	Ground Begin, 30°C Ta		3214		10 ³ Hrs.
	Ground Fixed, 40°C Ta		464		10 ³ Hrs.
	Ground Mobile, 45°C Ta		186		10 ³ Hrs.
Over Temperature Shutdown Trip Point	Average PCB Temperature		125		°C
Over Temperature Shutdown Hysteresis			15		°C

Standards Compliance					
MIL-STD-1275D					
Parameters	Min	Typ	Max	Unit	Status
5.1.3.1 Steady-State Voltage	25	-	30	V	Passed
5.1.3.2 Ripple	-	-	2	V	Passed
5.1.3.3 Surges	28	-	40	V	Passed
5.1.4.1 Steady-State Voltage	23	-	33	V	Passed
5.1.4.2 Ripple	-	-	7	V	Passed
MIL-HDBK-704-8					
LDC101	-	-	-	-	Passed
LDC102	16	28	40	V	Passed
LDC105	28	-	100	V	Passed
LDC201	-	-	-	-	Passed
LDC301-704E	20	-	31.5	V	Passed
LDC302-704E	22	-	50	V	Passed
LDC401-704E	18	-	29	V	Passed
LDC501	12	-	29	V	Passed
LDC601	0	-	28	V	Passed



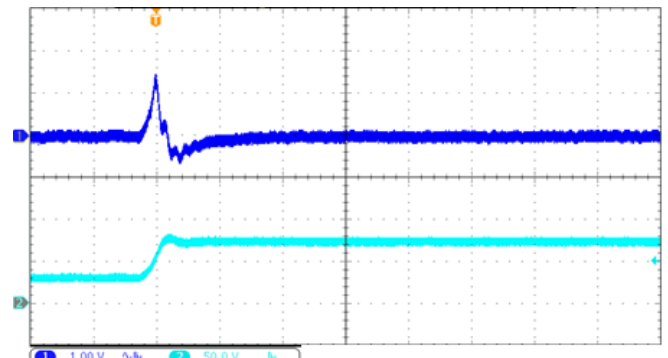
Output voltage (navy blue) (10 V/div) Time base: 10 ms/div
ON/OFF pin voltage (blue) (5 V/div)

Figure A. Startup waveform under pre-applied input voltage with 1 μF ceramic and 100 μF electrolytic capacitor across the load terminals.



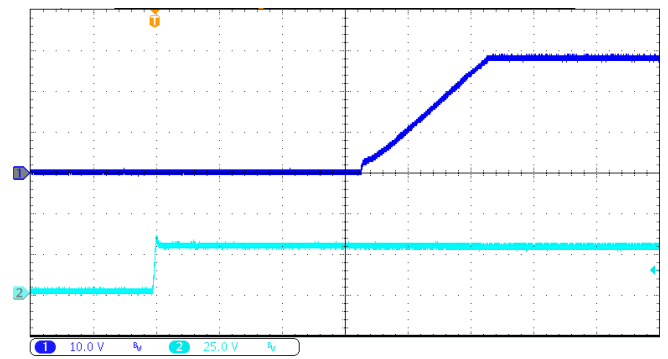
Output voltage (navy blue) (500mV/div) Time base: 4 ms/div
Output current (green) (5 A/div)

Figure B. Load current transient response (AC Coupled): from 50% to 75% 1 μF ceramic and 100 μF electrolytic capacitors across the load terminals. ($di/dt = 1 \text{ A}/\mu\text{s}$).



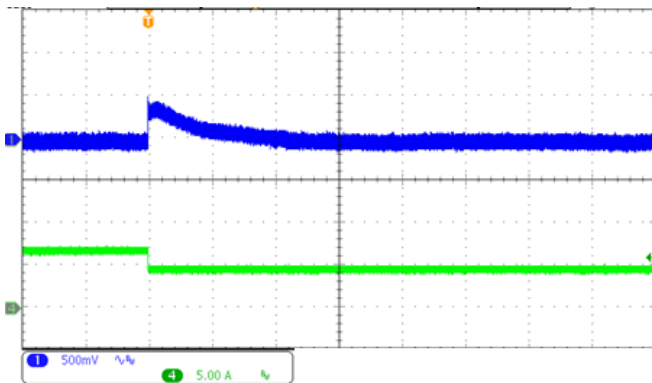
Output voltage (navy blue) (1V/div) Time base: 400 μs /div
Input voltage (blue) (50 V/div)

Figure C. Input voltage transient response, output voltage (AC Coupled): from 28V to 40V with 1 μF ceramic and 100 μF electrolytic capacitor across the load terminals ($dV/dt = 250 \text{ V/ms}$).



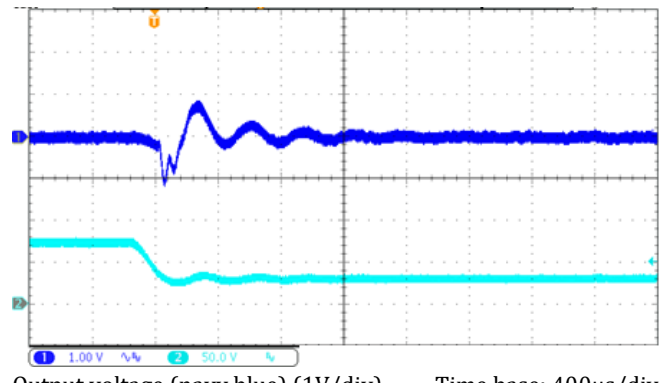
Output voltage (navy blue) (5 V/div) Time base: 10 ms/div
Input voltage (blue) (25 V/div)

Figure D. Turn on transient at full resistive load with 1 μF ceramic and 100 μF electrolytic capacitor across the load terminals.



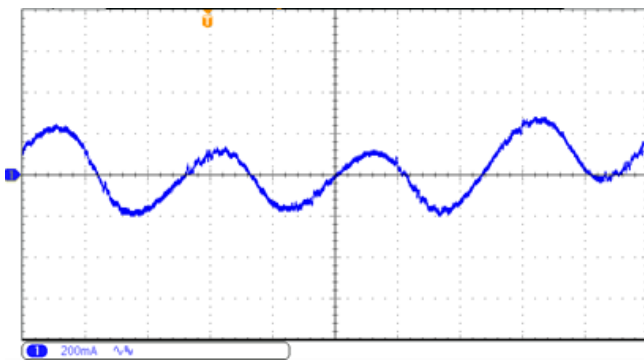
Output voltage (navy blue) (500mV/div) Time base: 4ms/div
Output current (green) (5 A/div)

Figure E. Load current transient response (AC Coupled): from 75% to 50% 1 μ F ceramic and 100 μ F electrolytic capacitors across the load terminals. ($di/dt = 1 \text{ A}/\mu\text{s}$).



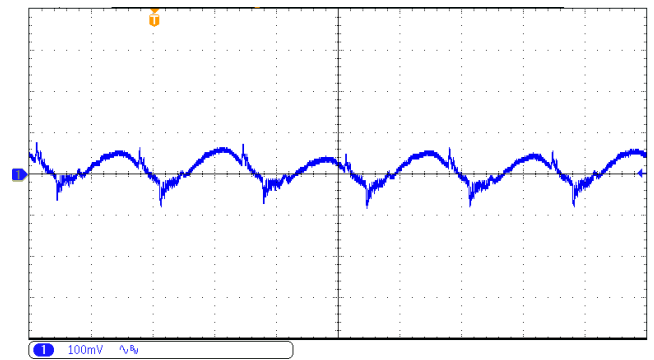
Output voltage (navy blue) (1V/div) Time base: 400 μ s/div
Input voltage (blue) (50 V/div)

Figure F. Input voltage transient response, output voltage (AC Coupled): from 40V to 28V with 1 μ F ceramic and 100 μ F electrolytic capacitor across the load terminals ($dV/dt = 250 \text{ V/ms}$).



Input current ripple (200 mA/div) Time base: 2 μ s/div

Figure G. Input current ripple at nominal input voltage and full load current with 470 μ F electrolytic capacitor across the input terminals. Bandwidth: 20 MHz



Output voltage ripple (100mV/div) Time base: 2 μ s/div

Figure H. Output voltage ripple at nominal input voltage and full load current with 1 μ F ceramic and 100 μ F electrolytic capacitor across the load terminals

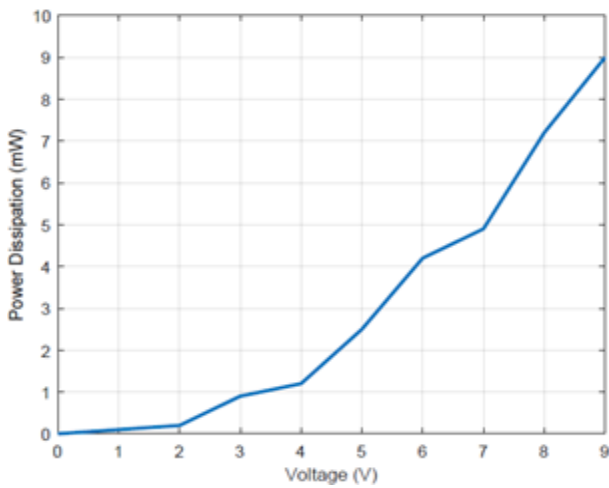
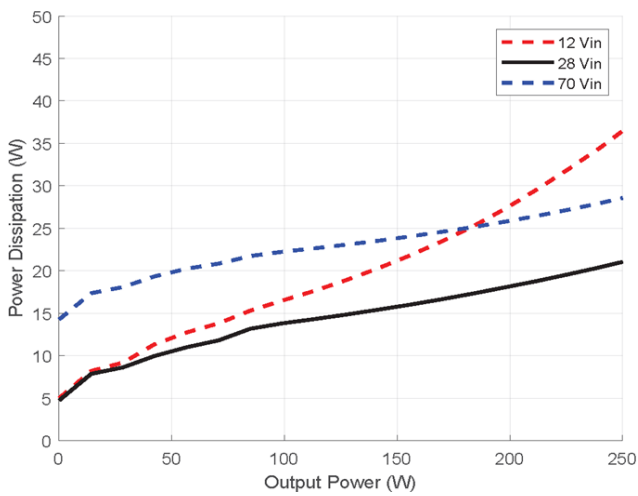


Figure J. Power dissipation versus output power at minimum, nominal and maximum input voltage

Figure I. Disabled power dissipation versus input voltage



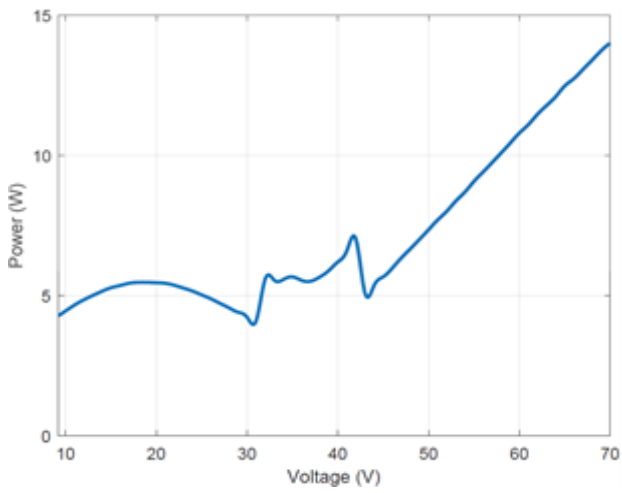


Figure K. Enabled power dissipation versus input voltage

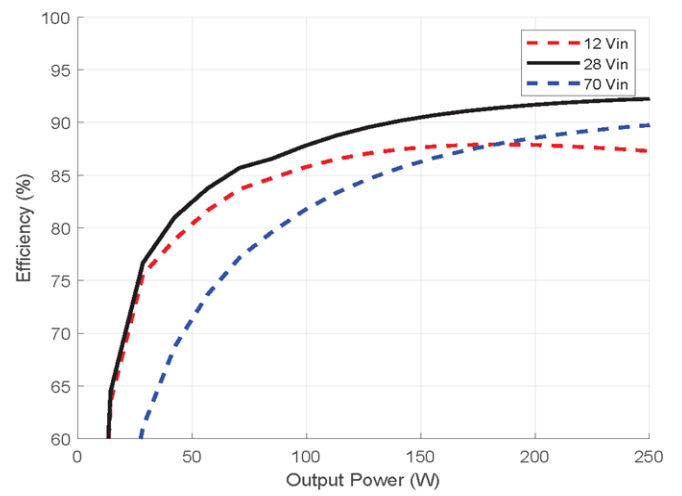


Figure L. Efficiency versus output power at minimum, nominal and maximum input voltage

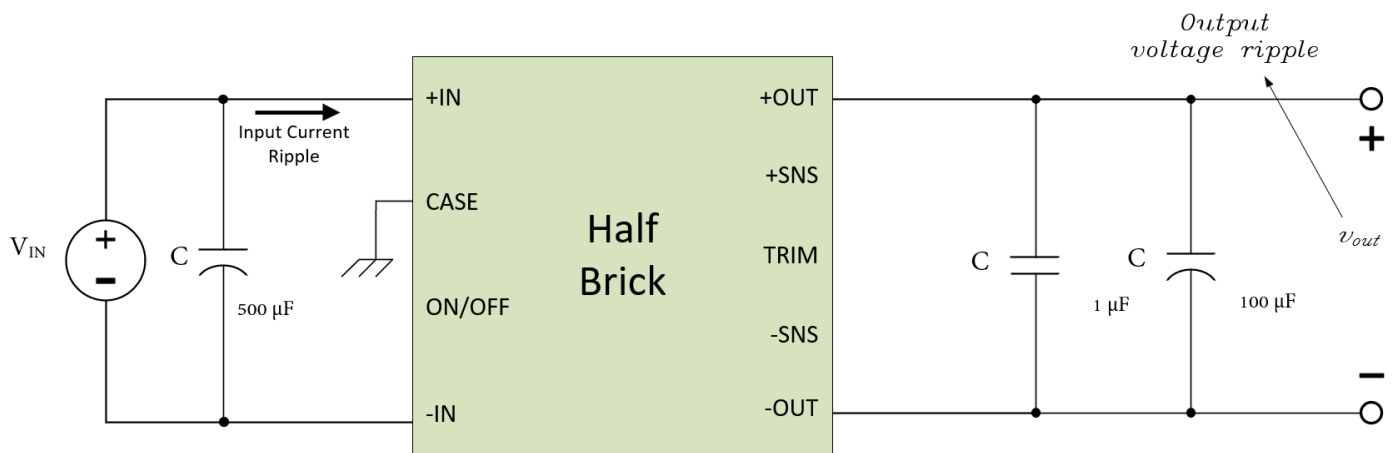


Figure M. Test set-up showing measurement point for output voltage ripple (Figure F).

Basic Operation and Features

REMOTE ON/OFF

The ON/OFF input allows the user to control the ON and OFF states of the module. This input is referenced to the return terminal of the input bus (-IN).

ON/OFF function allows the product to be turned ON/OFF by an external device like a semiconductor or a mechanical switch.

Positive Logic

In positive logic option of half brick, ON/OFF pin is held as active high to keep the module in ON state. If it is pulled down to the

return terminal of the input bus (-IN), the converter goes into the OFF state

Figure N. Internal ON/OFF circuit of Positive Logic Option

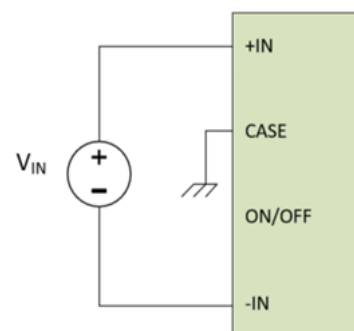
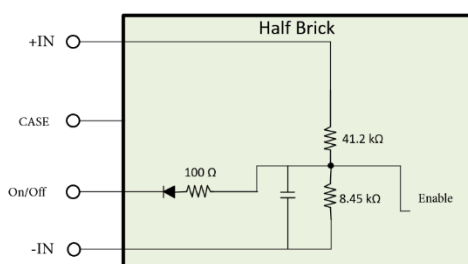


Figure O. Positive Logic Option Recommended ON state connections

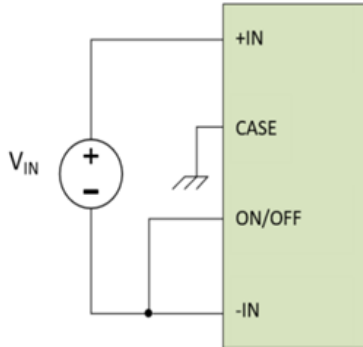


Figure P. Positive Logic Option Recommended OFF state connection

to the return terminal of the input bus (-IN), the converter goes into the ON state.

Figure Q. Internal ON/OFF circuit of Negative Logic Option

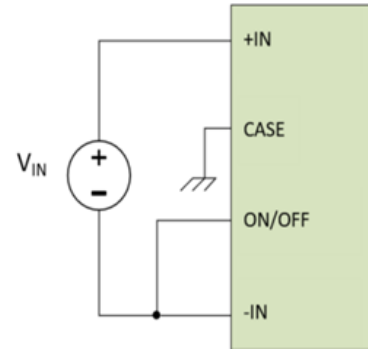
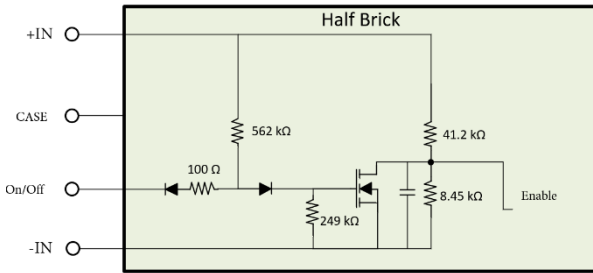


Figure R. Negative Logic Option Recommended ON state connection

Negative Logic (-N Option)

In negative logic option (-N) of half brick, ON/OFF pin is held as active high to keep the module at OFF state. If it is pulled down



SENSE

Sense terminals are placed at the load side of the converter module. The sense inputs are used to adjust and fine-tune the output voltage and compensate for any error at the voltage level. If the load is away from the unit, which may require connection over a long pair of cables, connect +SNS and -SNS to the load terminal, respectively, to compensate for the voltage drop across the line.

OUTPUT VOLTAGE TRIM

The TRIM input feature of the module permits the user to adjust the output voltage across the sense leads up or down according to the trim range. The user should connect a resistor between TRIM and +SNS input to decrease the output voltage.

For a desired decrease of the nominal output voltage, the value of the resistor should be calculated as below.

$$R_{TRIM_DOWN} = 9.176 \times \frac{(V_{OUT_{nom}} - 1.991 \times V_{OUT_{desired}})}{(V_{OUT_{desired}} - V_{OUT_{nom}})} \text{ k}\Omega$$

Output Voltage resulting from inserting a trim-down resistor can be calculated as below. R_{TRIM_DOWN} is the trim-down resistor's value in k Ω .

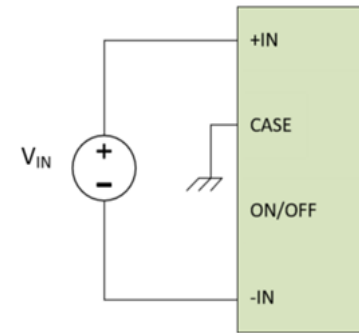


Figure S. Negative Logic Option Recommended OFF state connections

$$V_{Generated} = V_{OUT_{nom}} \times \frac{(9.176 + R_{TRIM_DOWN})}{(18.27 + R_{TRIM_DOWN})} \text{ V}$$

The user should connect a resistor between TRIM and -SNS input to increase the output voltage.

For a desired increase of the nominal output voltage, the value of the resistor should be calculated as below.

$$R_{TRIM_UP} = \frac{(9.176 \times V_{OUT_{nom}} - 8.25 \times V_{OUT_{desired}})}{(V_{OUT_{desired}} - V_{OUT_{nom}})} \text{ k}\Omega$$

The output voltage resulting from the trim-up resistor can be calculated as below. R_{TRIM_UP} is the trim-up resistor's value in k Ω .

$$V_{Generated} = V_{OUT_{nom}} \times \frac{(9.176 + R_{TRIM_UP})}{(8.25 + R_{TRIM_UP})} \text{ V}$$

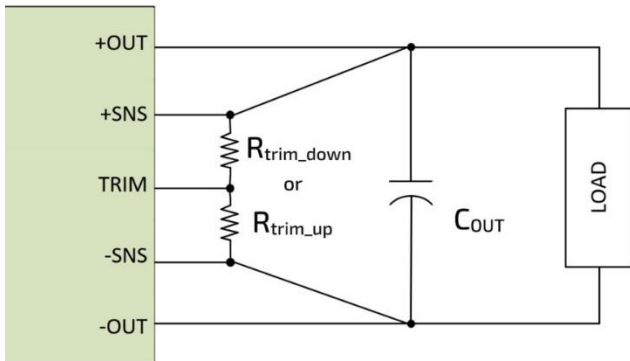


Figure T. Typical trim application circuit

DROOP CURRENT SHARING

For “droop active” models (part numbers with PR option), output voltage has a 1 V slope from full load to no load. In other words, output voltage of the module is 28.5 V for no load and 27.5 V for full load. This enables safe parallel connection of multiple models.

For the connection diagram, please refer to Figure W. ORing diodes (simple diode or ideal diode) are required for parallel connection.

PMBUS

PM option field in KOLT Brick Module part numbers indicates I2C capability. I2C digital interface can be used to monitor output parameters.

Half brick module provides a two-wire I2C compatible communication interface that enables host device to monitor device parameters including Output Voltage and Current, Device Temperature and Status.

I2C PIN DESCRIPTIONS AND RATINGS

Pin Name	Absolute Maximum Voltage Ratings
PMBUS_C2	3.6 V
GND	3.6 V
PMBUS_SDA*	3.6 V
PMBUS_SMBALERT*	3.6 V
PMBUS_SCL*	3.6 V
PMBUS_ADDRESS*	3.6 V

*: Internal 10kOhm pull-up resistor to 3.3 V

I2C SIGNAL SPECIFICATIONS

Parameter	Min	Typ	Max	Unit
High Level Input Voltage	2.64		3.5	V
Low Level Input Voltage	0		1	V
SDA and SCL Bus Capacitive Load			400	pF
Bus Frequency		100		kHz
Clock Low Time	4.7			μs
Clock High Time	4			μs
SDA and SCL Fall Time			300	ns
SDA and SCL Rise Time			1000	ns
Data Input Setup Time	250			ns
Start Condition Setup Time	4.7			μs
Start Condition Hold Time	4.0			μs
Stop Condition Setup Time	4.0			μs
Stop Condition Hold Time	>0			μs
Bus Free Time	4.7			μs

I2C READ OPERATION

Half brick supports 100 kHz bus frequency and always acts as a slave. I2C Master can only read registers of half brick. Write to registers is not possible. Read register sequence is detailed in Figure U.



Figure U. Read Register Operation

Half brick modules incorporate internal 10kOhm pull-up resistors to 3.3V on SDA and SCL lines.

Depending on the bus load SDA and SCL lines may require additional pull-up resistors to 2.8 to 3.5V external supply. Absolute maximum capacitive load on SDA and SCL lines are 400pF.

I2C ID SELECTION

I2C address of device is combination of physical address and Read/Write bit. Default I2C physical address for a half brick module is 0x2. Alternate physical I2C address of 0x6 is selected when PMBUS_ADDRESS pin tied to Digital Ground (GND) pin.

PMBUS_ADDRESS Pin State	I2C Address Byte	
	Read	Write
Float	0x3	0x2
Tied to GND	0x7	0x6

I2C REGISTERS

I2C digital interface is used to monitor input, output and status information of converter.

Digital configuration via Write to registers with I2C interface feature for half brick modules will be implemented in the future.

Register Address	R/W	Register Name	Scale Factor	Description
0x79	Read Only	STS	-	Status Register
0x8B	Read Only	VOUT	1mV/LSB	Output Voltage Reading Register
0x8C	Read Only	IOUT	1mA/LSB	Output Current Reading Register
0x8D	Read Only	TEMP	1 °C/LSB	Temperature Reading Register

STATUS REGISTER (STS) 0x79

Status Register (0x79) is a 16-bit register containing status information and last logged fault of brick module.

Status Register (STS)							
15	14	13	12	11	10	9	8
Res			LOT	LOC	LREG	Res	
7	6	5	4	3	2	1	0
Res			OT	OC	REG	Res	

Eight least significant bits (LSBs) of STS (0x79) holds status information of the device. If any bit is set to 1, this indicates output is turned off due to fault conditions described in Status Register Fields table.

Eight most significant bits (MSBs) of STS (0x79) holds last fault log since power up. Fault log can only be cleared by powering down the converter or by pulling Remote ON/OFF pin to OFF state.

Status Register (STS) Fields			
Bits	Field	Reset	Description
0-1	Res	0	Reserved
2	REG	0	Regulation Fault bit 1: Output Voltage is lower than "Output DC Current-Limit Shutdown Voltage" or higher than "Output Over Voltage Protection Limit". 0: Output Voltage is OK.
3	OC	0	Output Over Current Fault bit 1: Output Current is higher than "Output Current Shutdown Limit". 0: Output Current is in operating limits.
4	OT	0	Over Temperature Fault bit 1: Temperature is higher than "Over Temperature Shutdown Trip Point". 0: Temperature is in operating limits.
5-9	Res	0	Reserved
10	LREG	0	Logged Regulation Fault bit
11	LOC	0	Logged Output Over Current Fault bit
12	LOT	0	Logged Over Temperature Fault bit
13-15	Res	0	Reserved

OUTPUT VOLTAGE REGISTER (VOUT) 0x8B

Output Voltage Register (0x8B) is a 16-bit register containing unsigned output voltage reading information of brick module. This register has a scale factor of 1 mV/LSB.

Output Voltage Register (VOUT)							
15	14	13	12	11	10	9	8
VOUT [15-8]							
7	6	5	4	3	2	1	0
VOUT [7-0]							

Lower 8-bit part of VOUT (0x8B) register holds eight least significant bits (LSBs) of output voltage reading.

Upper 8-bit part of VOUT (0x8B) register holds eight most significant bits (MSBs) of output voltage reading.

Output Voltage Register (VOUT) Fields			
Bits	Field	Reset	Description
0-15	VOUT	0	Output Voltage Reading 0 = 0 V 1 = 0.001 V . . 28000 = 28.0 V . . 50000 = 50.0 V

OUTPUT CURRENT REGISTER (IOUT) 0x8C

Output Current Register (0x8C) is a 16-bit register containing unsigned output current reading information of brick module. This register has a scale factor of 1 mV/LSB.

Output Current Register (IOUT)							
15	14	13	12	11	10	9	8
IOUT [15-8]							
7	6	5	4	3	2	1	0
IOUT [7-0]							

Lower 8-bit part of IOUT (0x8C) register holds eight least significant bits (LSBs) of output current reading.

Upper 8-bit part of IOUT (0x8C) register holds eight most significant bits (MSBs) of output current reading.

Output Current Register (IOUT) Fields			
Bits	Field	Reset	Description
0-15	IOUT	0	Output Current Reading 0 = 0 A 1 = 0.001 A . . 10700 = 10.7 A . . 50000 = 50.0 A

TEMPERATURE REGISTER (TEMP) 0x8D

Temperature Register (0x8D) is a 16-bit register containing temperature reading information of brick module in twos complement format. This register has a scale factor of 1 °C/LSB

Temperature Register (TEMP)							
15	14	13	12	11	10	9	8
TEMP [15-8]							
7	6	5	4	3	2	1	0
TEMP [7-0]							

Lower 8-bit part of TEMP (0x8D) register holds eight least significant bits (LSBs) of temperature reading.

Upper 8-bit part of TEMP (0x8D) register holds eight most significant bits (MSBs) of temperature reading.

Temperature Register (TEMP) Fields			
Bits	Field	Reset	Description
0-15	TEMP	0	Temperature Reading 155: 155 °C . . 1: 1 °C 0: 0 °C 65535: -1 °C . 65481: -55 °C

Protection Features

Input Under Voltage Lockout

The converter module starts operating when the input voltage is raised above the "Under Voltage Turn-On Threshold." Once turned on, turn off is initiated when the input falls below the "Under Voltage Turn-Off Threshold." The "Module Input Specifications" Table gives the associated limits.

Output Current Limit

The converter will derate the output voltage if the output current exceeds the "Output Current Limit" value. If the fault condition is resolved, the control output voltage will increase to the nominal value.

Output Over Voltage Protection

If the output voltage exceeds the "Output Over Voltage-Protection" value the converter outputs are disabled immediately and retries after cooldown period. The "Output Over Voltage Protection Limit" is 120% of Output Voltage. If trim up or down is used protection limit will change according to output voltage setting.

Output Over Current Protection

If the output current exceeds the "Output Current Shutdown Limit" value the converter outputs are disabled immediately and retries after cooldown period.

Short Circuit Protection

The short circuit condition is an extreme case of the Output Current Limit condition. When output Voltage drops below "Output DC Current-Limit Shutdown Voltage" limit, the converter outputs are disabled immediately and retries after cooldown period. The "Output DC Current-Limit Shutdown Voltage" is 50% of Output Voltage. If trim up or down is used protection limit will change according to output voltage setting.

Over Temperature Shutdown

The brick has a thermistor located at the hottest point inside the module. The thermal shutdown circuit is designed to turn the converter off when the temperature at the sensed location goes above the "Over Temperature Shutdown" limit. It locks itself and waits to cool off. The Converter then resumes operation automatically when the temperature of the sensed location falls below the trip point by the amount equal to the "Over Temperature Shutdown Hysteresis."

Soldering and Cleaning

Hand Soldering

1. Mounting of brick module should not put mechanical stress on the pins and solder joints. If the brick module will be fixed to an immovable surface, soldering should be done after the brick module is screwed to surface.
2. Tip temperature of soldering iron should not exceed 430 °C. Recommended soldering durations and soldering iron temperature are detailed in table below.

Pin Type	Soldering Duration (range)	Soldering Temperature °C (range)
PMBUS	3-5	330-390
Power	5-8	330-430
Remote ON/OFF, TRIM, SENSE ±	4-6	330-410

3. Soldering the brick module longer periods of time and at higher temperatures may result in damage to the brick module.

Wave Soldering Profile

1. Bottom side preheaters: Zone 1: 180 °C, Zone 2: 150 °C, Zone 3: 360 °C
2. Top side preheaters: Zone 1: 105-115 °C
3. Wave Temperature: 265 °C
4. Wave type: 108 mm standard laminar wave

Cleaning

1. Brick modules are not sealed and exposure to liquid may result in damage to the brick module.
2. If PCB needs to be exposed aqueous wash after soldering, surface mount or through-hole sockets are recommended for mounting the brick modules after cleaning process.

De-soldering

1. Brick modules should not be re-used after de-soldering. De-soldering may cause mechanical and thermal stresses to damage brick module. KOLT does not guarantee reusability of brick modules after de-soldering

Application Considerations

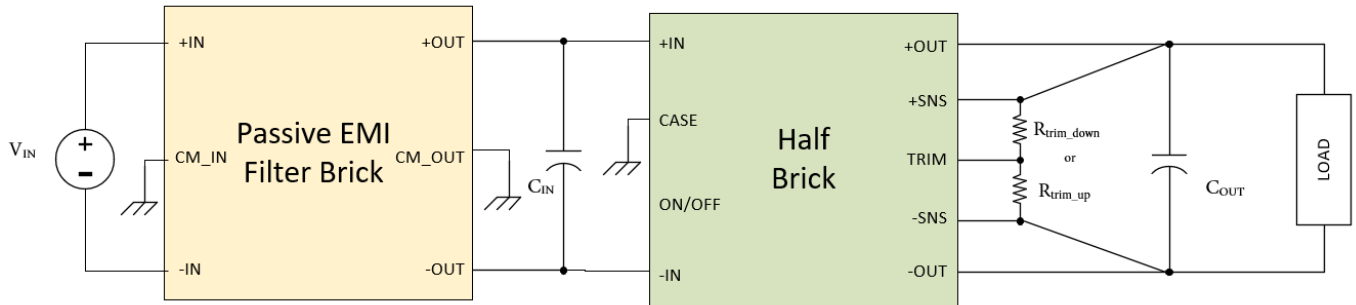


Figure V. Typical application

NOTE: If the output voltage is to be used in its default state, there is no need to use trim resistors.

C_{IN}: 5 parallel 160SGV100M18x16.5 (100uF 160V Aluminum-Electrolytic Capacitor)

C_{OUT}: EEE-FTH101XAP (100uF 50V Aluminum-Electrolytic Capacitor)

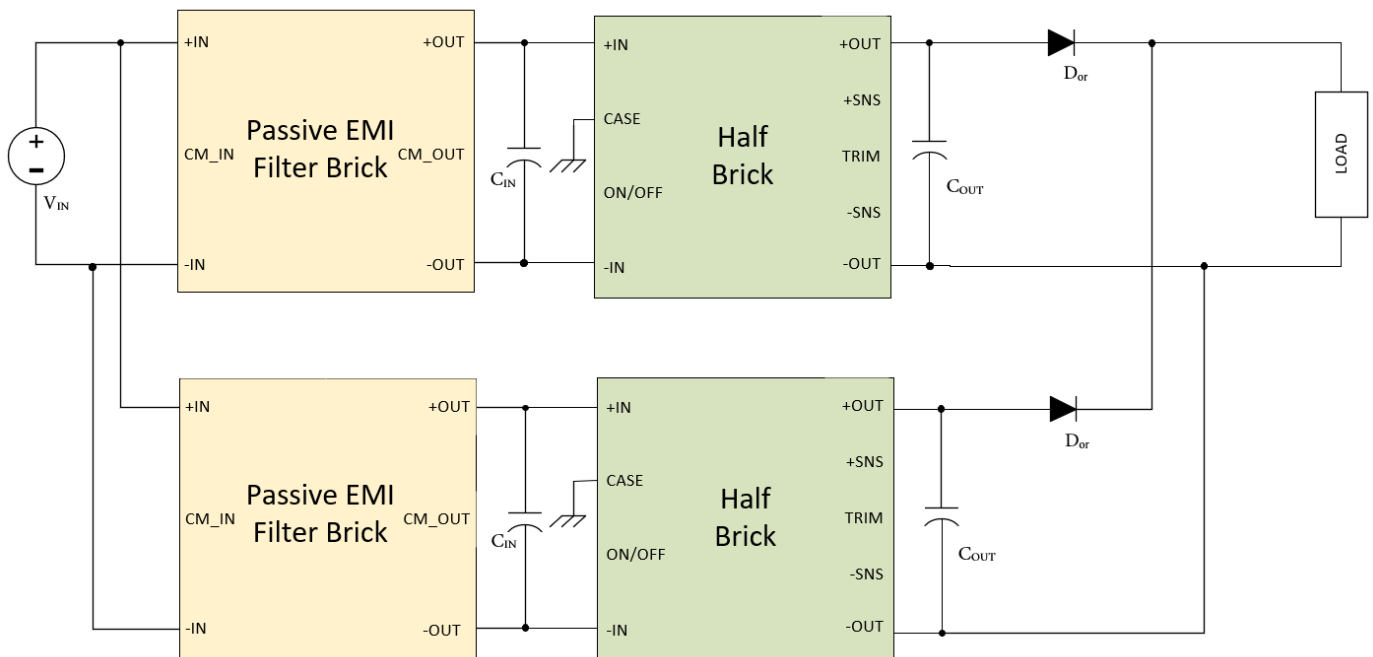


Figure W. Recommended application N+1 redundant parallel connection

CM_IN and CM_OUT of Passive EMI Filter should be connected to the chassis.

C_{IN}: 5 parallel 160SGV100M18x16.5 (100uF 160V Aluminum-Electrolytic Capacitor)

C_{OUT}: EEE-FTH101XAP (100uF 50V Aluminum-Electrolytic Capacitor)

D_{OR}: Can be either an ORing diode or ideal diode driver circuit

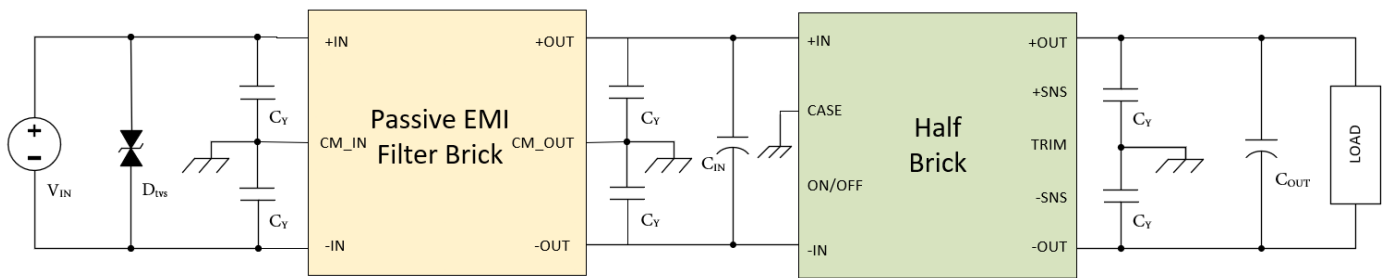


Figure X. Recommended Application for better EMI/EMC compliance

C_Y: CHV1206N2K0472KXT (4700 pF 2kV X7R Ceramic Capacitor)
C_{IN}: : 5 parallel 160SGV100M18x16.5 (100uF 160V Aluminum-Electrolytic Capacitor)
C_{OUT}: EEE-FTH101XAP (100uF 50V Aluminum-Electrolytic Capacitor)
D_{TVS}: 5.0SMDJ40CA (Bi-directional 40Vwm TVS Diode)

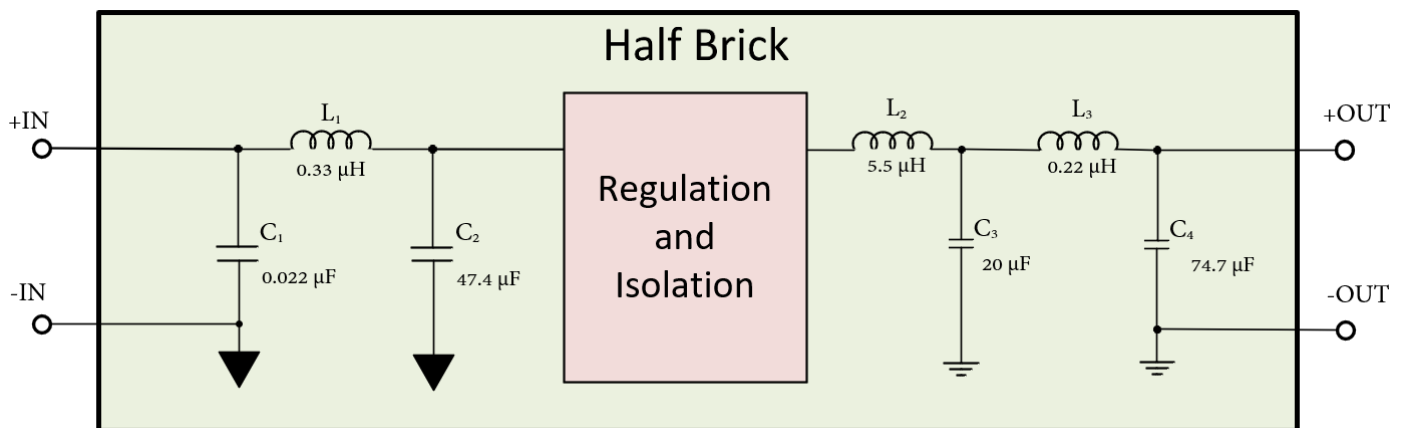
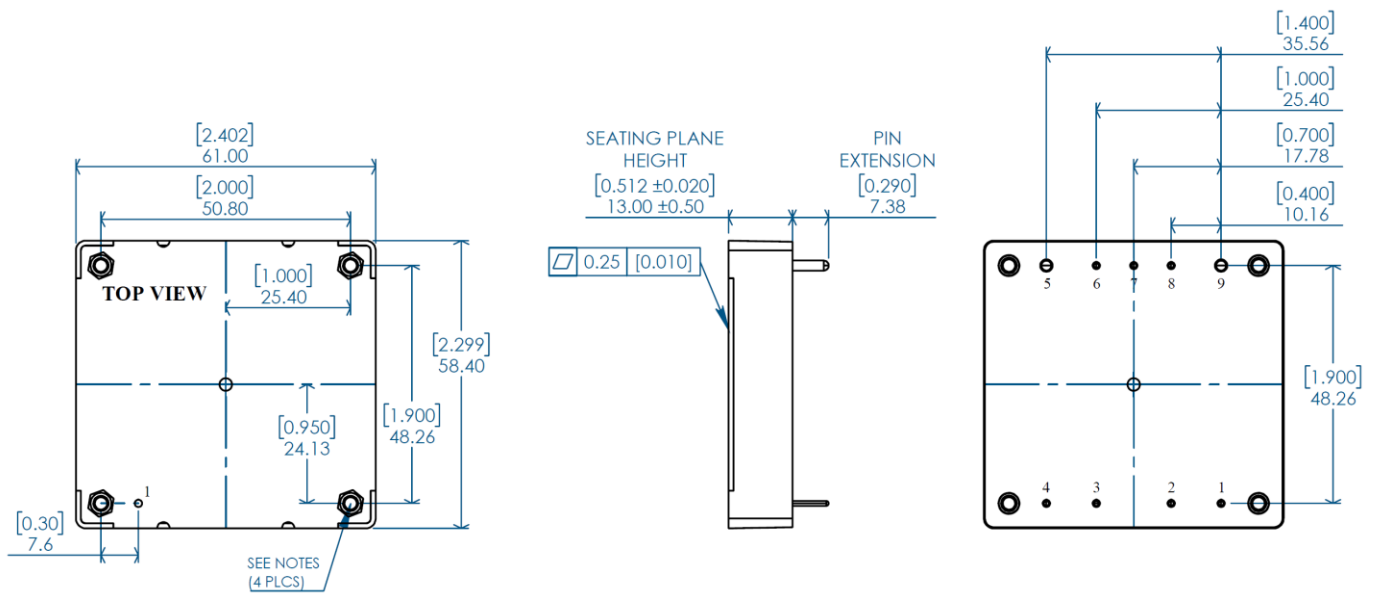


Figure Y. Internal input and output filter diagram of Half Brick

Mechanical Drawing – Threaded



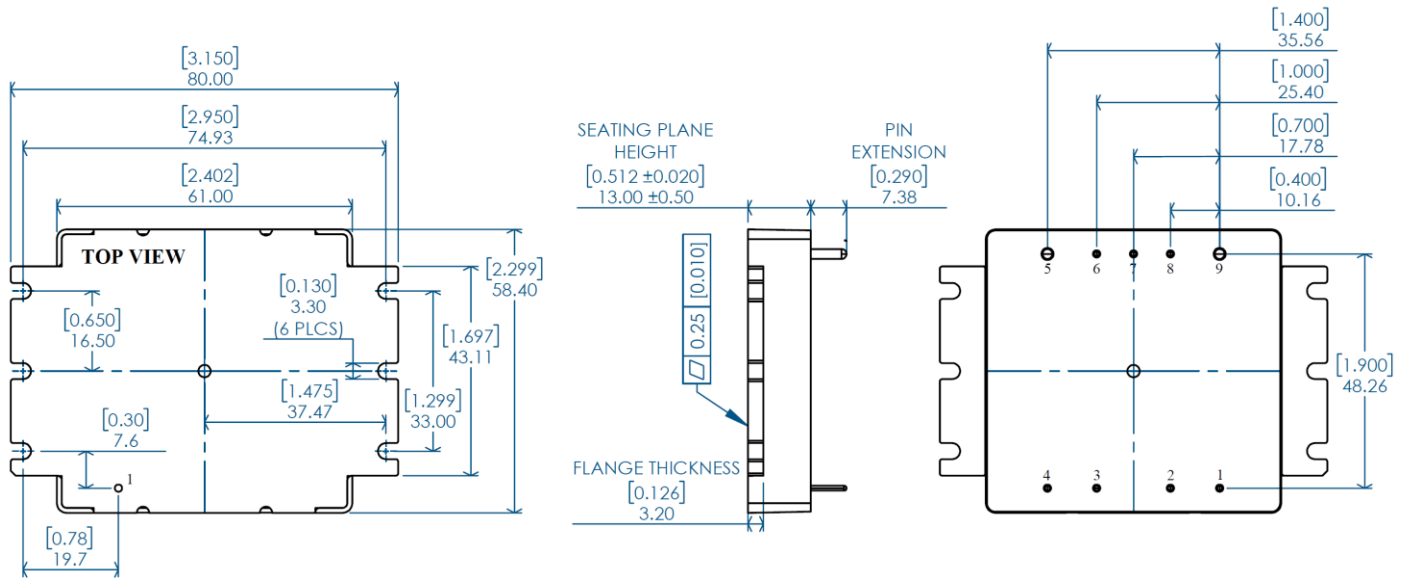
NOTES:

- APPLIED TORQUE PER M3 SCREW 0.45Nm (4in-lb) RECOMMENDED [0.56Nm (5in-lb) LIMIT]. M3 SCREW SHOULD NOT EXCEED 6mm (0.236") DEPTH BELOW THE SURFACE OF THE BASEPLATE.
- BASEPLATE FLATNESS TOLERANCE IS 0.25mm (0.010") TIR FOR SURFACE.
- PINS 1-4 AND 6-8 ARE 1.02mm DIA. (0.040") WITH 1.83mm DIA. (0.072") STANDOFFS.
- PINS 5 AND 9 ARE 2.03mm DIA. (0.080") WITH 3.18mm DIA. (0.125") STANDOFFS.
- PINS 1-9
MATERIAL: BRASS ALLOY
FINISH: 10µ" GOLD OVER NICKEL
- WEIGHT: 151.4 g (5.34 oz)
- ALL DIMENSIONS IN MILLIMETERS [inches]
- TOLERANCES: X.Xmm ±0.5mm (X.XXIN ±0.020)
X.XXmm ±0.25mm (X.XXXIN ±0.010)

Pin	Name	Function
1	+IN	Positive input voltage
2	ON/OFF	Remote on/off, referenced to -IN
3	CASE	Chassis connection
4	-IN	Input return
5	-OUT	Output return
6	-SNS	Negative remote sense
7	TRIM	Output voltage trim
8	+SNS	Positive remote sense
9	+OUT	Positive output voltage



Mechanical Drawing – Flanged



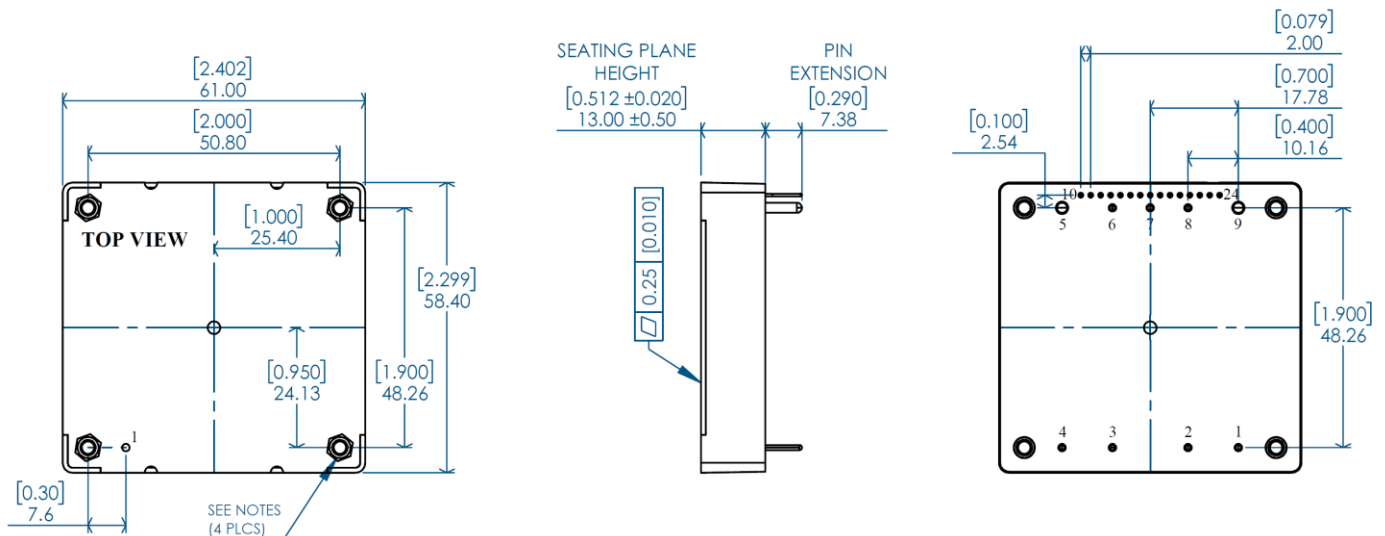
NOTES:

- APPLIED TORQUE PER M3 SCREW 0.45Nm (4in-lb) RECOMMENDED [0.56Nm (5in-lb) LIMIT].
- BASEPLATE FLATNESS TOLERANCE IS 0.25mm (0.010") TIR FOR SURFACE.
- PINS 1-4 AND 6-8 ARE 1.02mm DIA. (0.040") WITH 1.83mm DIA. (0.072") STANDOFFS.
- PINS 5 AND 9 ARE 2.03mm DIA. (0.080") WITH 3.18mm DIA. (0.125") STANDOFFS.
- PINS 1-9
MATERIAL: BRASS ALLOY
FINISH: 10µ" GOLD OVER NICKEL
- WEIGHT: 165.0 g (5.82 oz)
- ALL DIMENSIONS IN MILLIMETERS [inches]
- TOLERANCES: X.Xmm ±0.5mm (X.XXIN ±0.020)
X.XXmm ±0.25mm (X.XXXIN ±0.010)

Pin	Name	Function
1	+IN	Positive input voltage
2	ON/OFF	Remote on/off, referenced to -IN
3	CASE	Chassis connection
4	-IN	Input return
5	-OUT	Output return
6	-SNS	Negative remote sense
7	TRIM	Output voltage trim
8	+SNS	Positive remote sense
9	+OUT	Positive output voltage



Mechanical Drawing – Threaded & PMBUS Capable



NOTES:

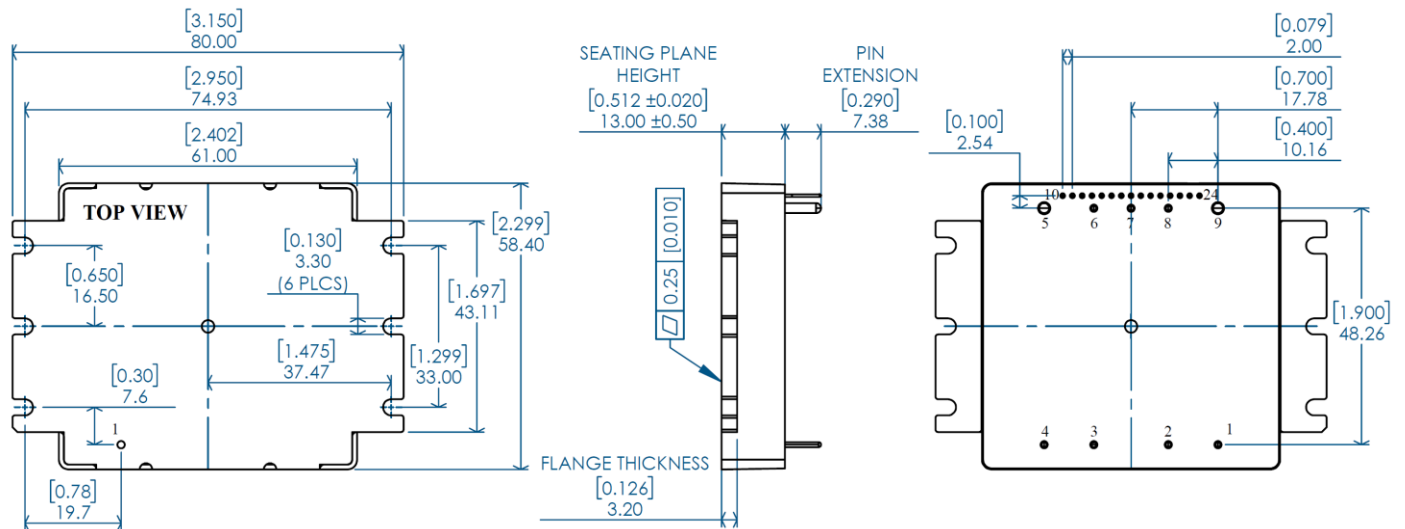
- APPLIED TORQUE PER M3 SCREW 0.45Nm (4in-lb) RECOMMENDED [0.56Nm (5in-lb) LIMIT]. M3 SCREW SHOULD NOT EXCEED 6mm (0.236") DEPTH BELOW THE SURFACE OF THE BASEPLATE.
- BASEPLATE FLATNESS TOLERANCE IS 0.25mm (0.010") TIR FOR SURFACE.
- PINS 1-4 AND 6-8 ARE 1.02mm DIA. (0.040") WITH 1.83mm DIA. (0.072") STANDOFFS.
- PINS 5 AND 9 ARE 2.03mm DIA. (0.080") WITH 3.18mm DIA. (0.125") STANDOFFS.
- PM OPTION PINS 10-24 ARE 0.50mm x 0.50mm SQUARE
- PINS 1-9 MATERIAL: BRASS ALLOY FINISH: 10μ" GOLD OVER NICKEL
- PM OPTION PINS 10-24 MATERIAL: PHOSPHOR BRONZE FINISH: 10μ" GOLD OVER NICKEL
- WEIGHT: 152.25 g (5.37 oz)
- ALL DIMENSIONS IN MILLIMETERS [inches]
- TOLERANCES: X.Xmm ±0.5mm (X.XXIN ±0.020)
X.XXmm ±0.25mm (X.XXXIN ±0.010)

Pin	Name	Function
1	+IN	Positive input voltage
2	ON/OFF	Remote on/off, referenced to -IN
3	CASE	Chassis connection
4	-IN	Input return
5	-OUT	Output return
6	-SNS	Negative remote sense
7	TRIM	Output voltage trim
8	+SNS	Positive remote sense
9	+OUT	Positive output voltage
10	SYNCH	Active Current Synchronization
11*	DATA-	RS485 Data-
12*	DATA+	RS485 Data+
13*	PMBUS_C2	I2C Control
14*	GND	Digital Ground
15*	PMBUS_SDA	I2C Data
16*	PMBUS_SMBALERT	I2C slave to master alert
17*	PMBUS_SCL	I2C Clock
18*	PMBUS_ADDRESS	I2C address selection
19*	NC	No-connect
20*	NC	No-connect
21*	NC	No-connect
22*	NC	No-connect
23*	NC	No-connect
24*	NC	No-connect

*: AVAILABLE ON PMBUS OPTION



Mechanical Drawing – Flanged & PMBUS Capable



NOTES:

- APPLIED TORQUE PER M3 SCREW 0.45Nm (4in-lb) RECOMMENDED [0.56Nm (5in-lb) LIMIT].
- BASEPLATE FLATNESS TOLERANCE IS 0.25mm (0.010") TIR FOR SURFACE.
- PINS 1-4 AND 6-8 ARE 1.02mm DIA. (0.040") WITH 1.83mm DIA. (0.072") STANDOFFS.
- PINS 5 AND 9 ARE 2.03mm DIA. (0.080") WITH 3.18mm DIA. (0.125") STANDOFFS.
- PM OPTION PINS 10-24 ARE 0.50mm x 0.50mm SQUARE PINS 1-9
- MATERIAL: BRASS ALLOY
- FINISH: 10µ" GOLD OVER NICKEL
- PM OPTION PINS 10-24
- MATERIAL: PHOSPHOR BRONZE
- FINISH: 10µ" GOLD OVER NICKEL
- WEIGHT: 165.0 g (5.82 oz)
- ALL DIMENSIONS IN MILLIMETERS [inches]
- TOLERANCES: X.Xmm ±0.5mm (X.XXIN ±0.020) X.XXmm ±0.25mm (X.XXXIN ±0.010)

Pin	Name	Function
1	+IN	Positive input voltage
2	ON/OFF	Remote on/off, referenced to -IN
3	CASE	Chassis connection
4	-IN	Input return
5	-OUT	Output return
6	-SNS	Negative remote sense
7	TRIM	Output voltage trim
8	+SNS	Positive remote sense
9	+OUT	Positive output voltage
10	SYNCH	Active Current Synchronization
11*	DATA-	RS485 Data-
12*	DATA+	RS485 Data+
13*	PMBUS_C2	I2C Control
14*	GND	Digital Ground
15*	PMBUS_SDA	I2C Data
16*	PMBUS_SMBALERT	I2C slave to master alert
17*	PMBUS_SCL	I2C Clock
18*	PMBUS_ADDRESS	I2C address selection
19*	NC	No-connect
20*	NC	No-connect
21*	NC	No-connect
22*	NC	No-connect
23*	NC	No-connect
24*	NC	No-connect

*: AVAILABLE ON PMBUS OPTION



Part Ordering Information

Family	Product Variant	Option Variant	Compliance
KEU-BM471	-002	-XXX	R: RoHS & REACH

Ordering Number	Baseplate	Communication	Current Sharing	RoHS (Note*)
KEU-BM471-002-001	Threaded	No communication capability, PMBUS pins are absent.	Not Available	RoHS 5/6 (Pb above limit)*
KEU-BM471-002-002	Threaded	No communication capability, PMBUS pins are absent.	Droop Sharing	RoHS 5/6 (Pb above limit)*
KEU-BM471-002-003	Threaded	With PMBUS communication capability	Not Available	RoHS 5/6 (Pb above limit)*
KEU-BM471-002-004	Threaded	With PMBUS communication capability	Droop Sharing	RoHS 5/6 (Pb above limit)*
KEU-BM471-002-005	Flanged	No communication capability, PMBUS pins are absent.	Droop Sharing	RoHS 5/6 (Pb above limit)*
KEU-BM471-002-006	Flanged	No communication capability, PMBUS pins are absent.	Droop Sharing	RoHS 5/6 (Pb above limit)*
KEU-BM471-002-007	Flanged	With PMBUS communication capability	Not Available	RoHS 5/6 (Pb above limit)*
KEU-BM471-002-008	Flanged	With PMBUS communication capability	Droop Sharing	RoHS 5/6 (Pb above limit)*
KEU-BM471-002-001R	Threaded	No communication capability, PMBUS pins are absent.	Not Available	RoHS-3 & REACH compliant
KEU-BM471-002-002R	Threaded	No communication capability, PMBUS pins are absent.	Droop Sharing	RoHS-3 & REACH compliant
KEU-BM471-002-003R	Threaded	With PMBUS communication capability	Not Available	RoHS-3 & REACH compliant
KEU-BM471-002-004R	Threaded	With PMBUS communication capability	Droop Sharing	RoHS-3 & REACH compliant
KEU-BM471-002-005R	Flanged	No communication capability, PMBUS pins are absent.	Droop Sharing	RoHS-3 & REACH compliant
KEU-BM471-002-006R	Flanged	No communication capability, PMBUS pins are absent.	Droop Sharing	RoHS-3 & REACH compliant
KEU-BM471-002-007R	Flanged	With PMBUS communication capability	Not Available	RoHS-3 & REACH compliant
KEU-BM471-002-008R	Flanged	With PMBUS communication capability	Droop Sharing	RoHS-3 & REACH compliant

RoHS & REACH Compliance*

By default, KOLT products are manufactured using SnPb solder for high-reliability applications and therefore are **not** compliant with EU RoHS Directive 2011/65/EU (as amended by (EU) 2015/863). These products meet RoHS requirements for all substances except lead (Pb). **These products are NOT CE marked due to SnPb solder.**

A **lead-free** build that meets RoHS-3 requirements and is designed to be REACH compliant is available by adding the “-R” suffix to the part number. **Only these products are CE marked.**

Revision History

Document Number	Revision	Date	Description	Page Number(s)
110266	01	20.03.2025	Initial Release	-
110266	02	4.08.2025	Part Number Updated	-
110266	03	12.12.2025	CE marking updated.	-

Contact Us

KOLT Türkiye

salesturkiye@koltpower.com

KOLT Muhendislik A.S.

Saray OSB, G2 Cd. No:9
Kahramankazan, Ankara 06980

Türkiye

www.kolt.com.tr

KOLT Europe


saleseurope@koltpower.com

KOLT Power Ltd.

Fareham Innovation Centre, Merlin House, 4 Meteor Way,
Daedalus Drive, Lee-On-Solent, Fareham, PO13 9FU

United Kingdom

www.koltpower.com

 [/company/koltpower](https://www.linkedin.com/company/koltpower)

The information provided in this datasheet is believed to be accurate and reliable. However, KOLT assumes no responsibility for any consequences arising from its use, nor for any infringement of patents or other rights of third parties that may result from its use. These products are sold only under KOLT's general terms and conditions of sale, unless otherwise specified in writing. Specifications are subject to change without notice. All rights reserved.